

## Handwheels with retractable handle

Aluminium, Handle swivelling

### SPECIFICATION

#### Type

- Type **R**: with retractable handle

#### Bore codes

- Version **B**: without keyway  
- Version **K**: with keyway

Aluminium pressure die casting

- Hub machined  
- Rim turned  
- plastic coated

black, RAL 9005, textured finish **SW**  
silver, RAL 9006, textured finish **SR**

Rim concentric and square to bore < 0.4

Safety retractable handles GN 798.7 (see page 587)

Plastic, Technopolymer  
black, matt

Retracting mechanism  
Steel, blackened

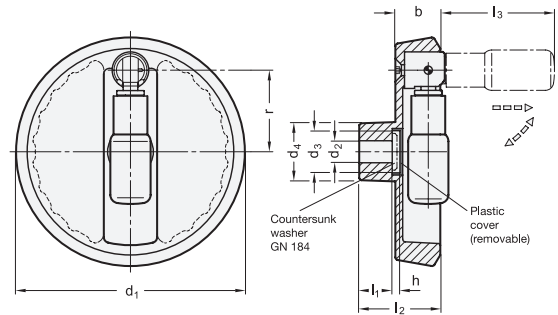


### INFORMATION

Disc handwheels GN 923.7 are distinguished by modern design. These handwheels are suitable for applications where the handle must not remain in the operating position.

In order to bring the handle into this position it has to be turned first through 90° to a stop against a torsion spring and then it is pushed against spring pressure into its hold position. By maintaining the forward thrust on the handle the handwheel can easily be rotated.

When releasing the handle the springs returns it back to the retracted position.



\* Complete with colour index of the Handwheels (SW or SR)

**SW** RAL9005    **SR** RAL9006

### GN 923.7

Description	d1	d2 H7	d3	d4	b	h	l1	l2 ≈	l3 ≈	r	Ø Handle	Recommended countersunk washer	⚖
GN 923.7-125-B12-R-*	125	12	23	31	24.5	4	18	45	62.5	44.5	22	GN 184-22	460
GN 923.7-125-K12-R-*	125	12	23	31	24.5	4	18	45	62.5	44.5	22	GN 184-22	440
GN 923.7-125-B14-R-*	125	14	23	31	24.5	4	18	45	62.5	44.5	22	GN 184-22	420
GN 923.7-125-K14-R-*	125	14	23	31	24.5	4	18	45	62.5	44.5	22	GN 184-22	420
GN 923.7-140-B14-R-*	140	14	23	36	26	4	19	47	77.5	52	24	GN 184-22	589
GN 923.7-140-K14-R-*	140	14	23	36	26	4	19	47	77.5	52	24	GN 184-22	589
GN 923.7-140-B16-R-*	140	16	23	36	26	4	19	47	77.5	52	24	GN 184-22	580
GN 923.7-140-K16-R-*	140	16	23	36	26	4	19	47	77.5	52	24	GN 184-22	580
GN 923.7-160-B14-R-*	160	14	23	36	26	4	20	48	77.5	61	24	GN 184-22	750
GN 923.7-160-K14-R-*	160	14	23	36	26	4	20	48	77.5	61	24	GN 184-22	730
GN 923.7-160-B16-R-*	160	16	23	36	26	4	20	48	77.5	61	24	GN 184-22	700
GN 923.7-160-K16-R-*	160	16	23	36	26	4	20	48	77.5	61	24	GN 184-22	580
GN 923.7-200-B18-R-*	200	18	23	42	27	4	24	53	87.5	80.5	25	GN 184-22	1070
GN 923.7-200-K18-R-*	200	18	23	42	27	4	24	53	87.5	80.5	25	GN 184-22	1050
GN 923.7-200-B20-R-*	200	20	23	42	27	4	24	53	87.5	80.5	25	GN 184-22	1140
GN 923.7-200-K20-R-*	200	20	23	42	27	4	24	53	87.5	80.5	25	GN 184-22	1080

